

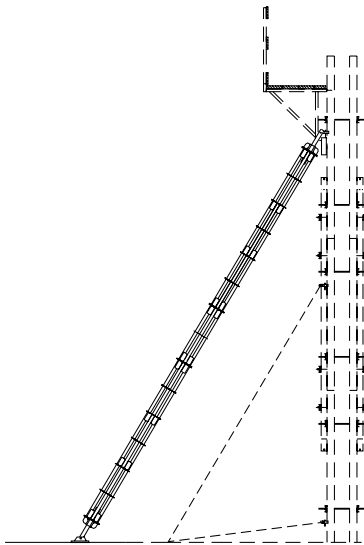
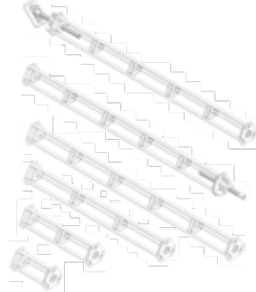
This product list includes all parts necessary for most applications. For parts required for special applications, please refer to the MEVA price list. Dimensions are in centimetres (cm) unless another measure is shown.

Contents

Flange screw	22
Foot plate 48	22
Foot plate 73	25
Formwork-prop connector	22
Top unit 48.....	21
Top unit 73.....	25
Triplex intermediate pieces R	21
Triplex intermediate pieces SB	24
Triplex R	20
Triplex SB	23
Triplex SB 630	23

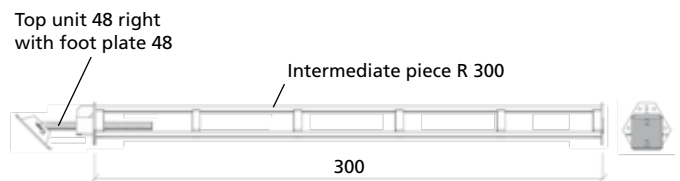
Triples R

Galvanized; to brace and align wall and column formwork exceeding 6.00 m. Is delivered in modules and assembled on site to the required length. The Triples R 300 with right-hand thread is provided with a foot plate 48; the formwork connector (formwork-prop connector or Combi-lock with coupling) has to be ordered separately.

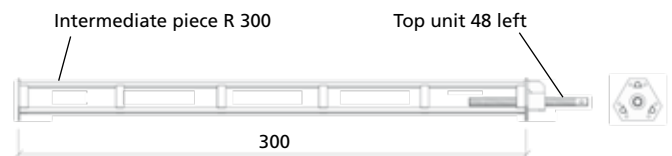


Ref. No.	Description / Application	m ²	kg
Triples R 680 (640–720)			
29-407-90	Triples R 300 right-hand thread with foot plate 48	63,0	
29-407-93	Triples R 300 left-hand thread		59,0
Triples R 780 (740–820)			
29-407-90	Triples R 300 right-hand thread with foot plate 48	63,0	
29-407-55	Triples intermediate piece R 100	16,0	
29-407-93	Triples R 300 left-hand thread		59,0
Triples R 880 (840–920)			
29-407-90	Triples R 300 right-hand thread with foot plate 48	63,0	
29-407-60	Triples intermediate piece R 200	26,0	
29-407-93	Triples R 300 left-hand thread		59,0
Triples R 980 (940–1020)			
29-407-90	Triples R 300 right-hand thread with foot plate 48	63,0	
29-407-65	Triples intermediate piece R 300	34,0	
29-407-93	Triples R 300 left-hand thread		59,0

Triples R 300 right-hand thread with foot plate 48

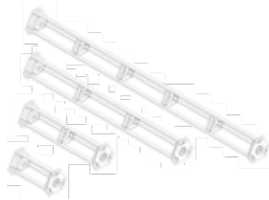


Triples R 300 left-hand thread



Triplex intermediate pieces R

Galvanized; basic components of different lengths to build Triplex R units; tube $\text{\O} 33,7$ mm. Delivery includes the required connecting material (hexagonal screws M16x40 and hexagonal locking nuts M16).



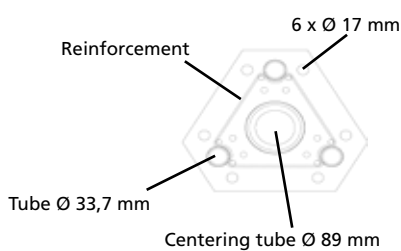
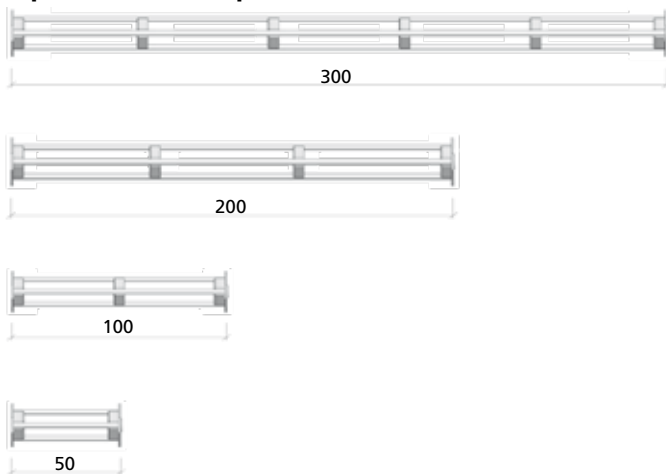
Top unit 48

Galvanized; with adjustable spindle ($\text{\O} 48,3$ mm). 1 top unit 48 left and 1 top unit 48 right are required to assemble a Triplex brace. Top unit 48 right includes hexagonal screws M16x40 and locking nuts M16.



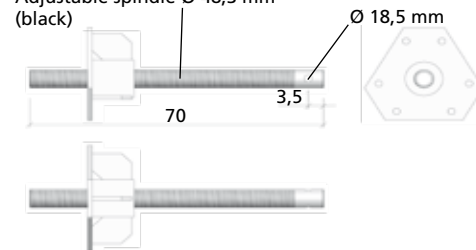
Ref. No.	Description / Application	m ²	kg
29-407-50	Triplex intermediate piece R 50		11,5
29-407-55	Triplex intermediate piece R 100		16,0
29-407-60	Triplex intermediate piece R 200		26,0
29-407-65	Triplex intermediate piece R 300		34,0
63-120-49	Hexagonal screw M16x40, (for MEP), galv., DIN 933	0,1	
63-130-00	Hexagonal locking nut M16, (for MEP), galv., DIN 985		
29-407-80	Top unit 48 left		16,0
29-407-85	Top unit 48 right		16,0

Triplex intermediate pieces R



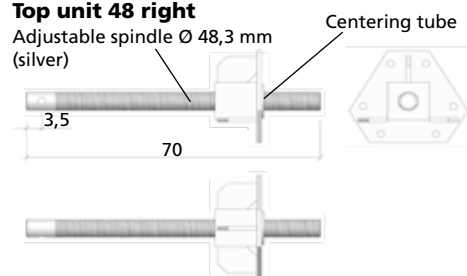
Top unit 48 left

Adjustable spindle $\text{\O} 48,3$ mm (black)



Top unit 48 right

Adjustable spindle $\text{\O} 48,3$ mm (silver)



Formwork-prop connector

Galvanized; to connect braces, brace frames and push-pull props (max. Ø 48,3 mm) to the multi-function profile by means of a flange screw 18. Delivery includes head bolt 16/90 and cotter pin 4.



Flange screw

Galvanized; with Dywidag thread Ø 15 mm. To attach accessories such as alignment rails, brace frames and push-pull props. Length of thread 18 cm or 28 cm.



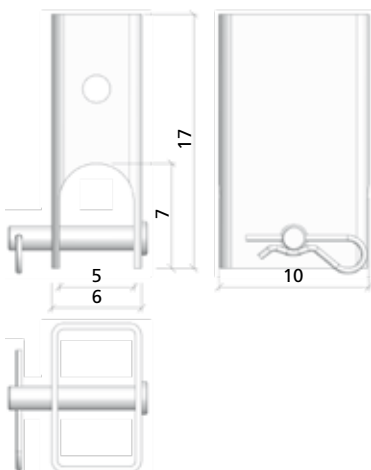
Foot plate 48

Galvanized; incl. head bolt 16/90 and cotter pin 4. Particularly solid foot plate for braces up to Ø 48,3 mm such as Triplex R.

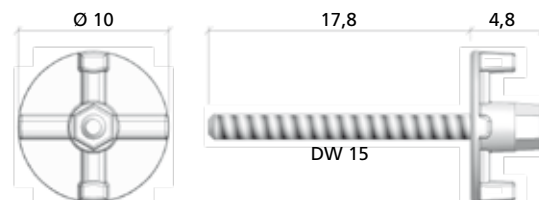


Ref. No.	Description / Application	m ²	kg
29-804-85	Formwork-prop connector		1,7
29-401-10	Flange screw 18		1,1
29-401-12	Flange screw 28		1,2
29-407-75	Foot plate 48		5,5
42-413-50	Head bolt 16/90 galvanized		0,2
62-010-04	Cotter pin 4		

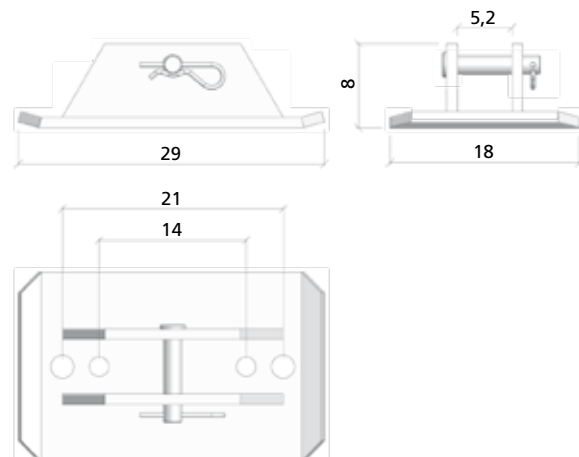
Formwork-prop connector



Flange screw 18

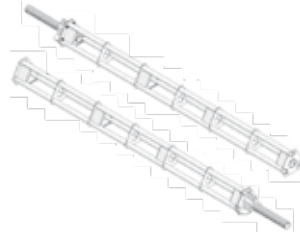


Foot plate 48



Triplex SB

Galvanized; Triplex SB braces are primarily used when forming single-sided walls of approx. 6 m or higher with support frames STB 450 and extensions 150. Triplex SB braces are delivered as modules without foot plates or formwork-prop connectors and are assembled on site to the required length. The necessary connecting bolts are provided with the height and base extensions. Each Triplex SB 780/880/980 requires an SB 300 right-hand and left-hand thread and an intermediate piece SB 100, 200 or 300 respectively.



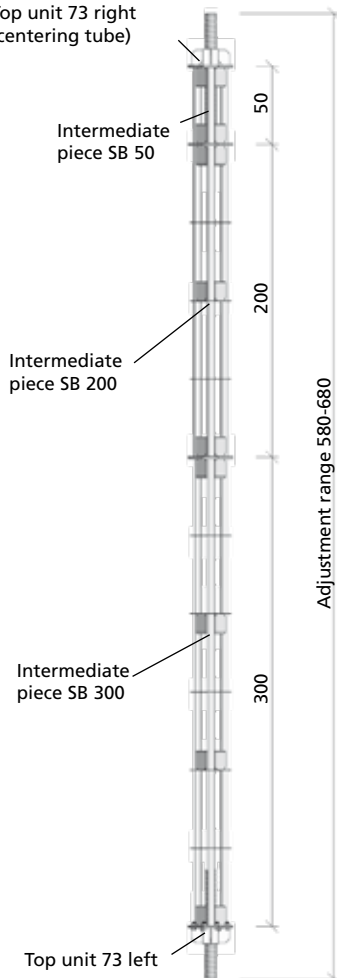
Triplex SB 630

Can be ordered as pre-assembled brace containing all necessary parts except the foot plate. The top units 73 and intermediate pieces can also be ordered separately (see the list).



Triplex SB 630

Top unit 73 right (centering tube)



Ref. No.	Description / Application	m ²	kg
Triplex SB 630 (580–680)			
29-407-00	Triplex SB 630 (580–680), pre-assembled		140,0
29-407-25	Top unit 73 left		19,0
29-407-20	Top unit 73 right		19,0
29-407-45	Triplex intermediate piece SB 300		52,0
29-407-40	Triplex intermediate piece SB 200		37,0
29-407-30	Triplex intermediate piece SB 50		15,0

Triplex SB 780 (740–820)

29-407-15	Triplex SB 300 right-hand thread		71,0
29-407-35	Triplex intermediate piece SB 100		22,0
29-407-17	Triplex SB 300 left-hand thread		71,0

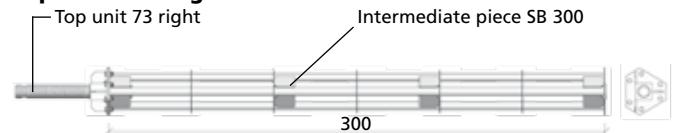
Triplex SB 880 (840–920)

29-407-15	Triplex SB 300 right-hand thread		71,0
29-407-40	Triplex intermediate piece SB 200		37,0
29-407-17	Triplex SB 300 left-hand thread		71,0

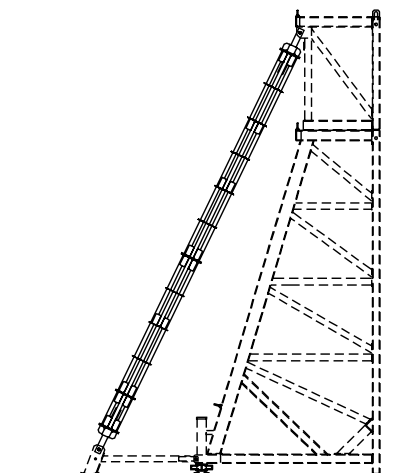
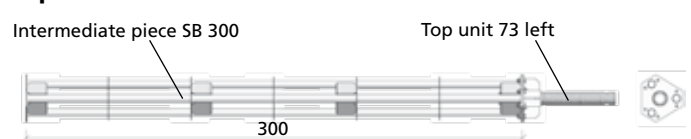
Triplex SB 980 (940–1020)

29-407-15	Triplex SB 300 right-hand thread		71,0
29-407-45	Triplex intermediate piece SB 300		52,0
29-407-17	Triplex SB 300 left-hand thread		71,0

Triplex SB 300 right-hand thread



Triplex SB 300 left-hand thread

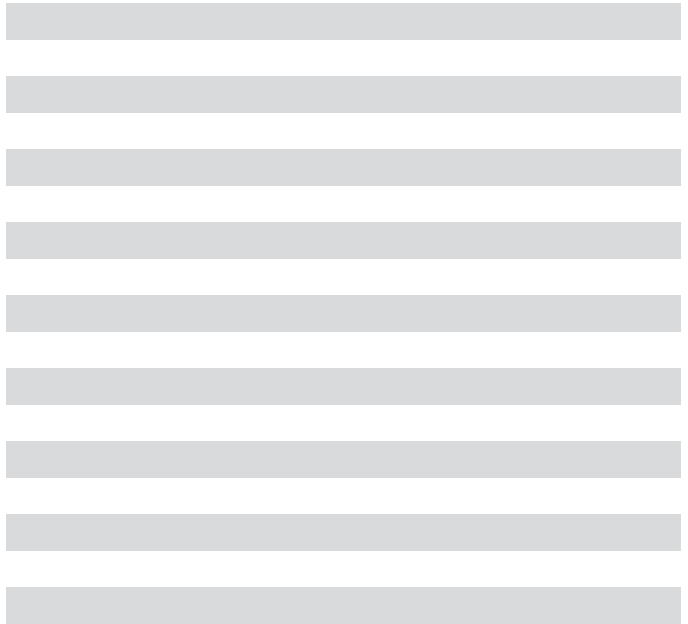


Triplex intermediate pieces SB

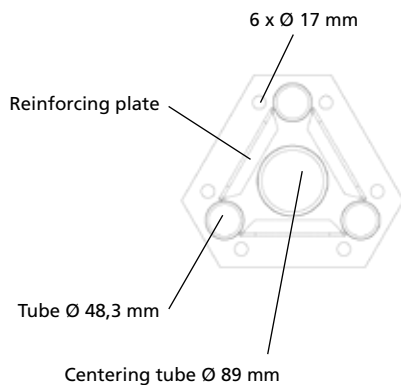
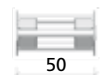
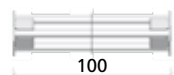
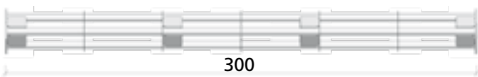
Galvanized; basic components of different lengths to build Triplex SB units; tube Ø 48,3 mm. Delivery includes the required connecting material (hexagonal screws M16x40 and locking nuts M16).



Ref. No.	Description / Application	m ²	kg
29-407-30	Triplex intermediate piece SB 50		15,0
29-407-35	Triplex intermediate piece SB 100		22,0
29-407-40	Triplex intermediate piece SB 200		37,0
29-407-45	Triplex intermediate piece SB 300		52,0



Triplex intermediate pieces SB



Heavy-Duty Braces Triplex

Top unit 73

Galvanized; with adjustable spindle (Ø 73 mm). 1 top unit 73 left and 1 top unit 48 right are required to assemble a Triplex brace. Top unit 73 right includes hexagonal screws M16x40 and locking nuts M16.



Foot plate 73

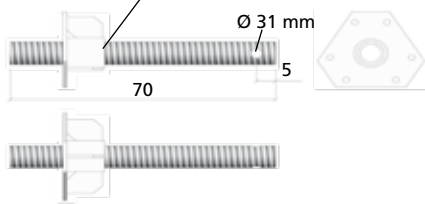
Galvanized, incl. screw M30x150 und nut Mutter M30. Particularly sturdy foot plate for Triplex SB.



Ref. No.	Description / Application	m ²	kg
29-407-25	Top unit 73 left		19,0
29-407-20	Top unit 73 right		19,0
29-407-74	Foot plate 73		9,6
63-120-49	Hexagonal screw M16 x 40, (for MEP), galv., DIN 9330.1		
63-130-00	Hexagonal locking nut M16, (for MEP), galv., DIN 985		

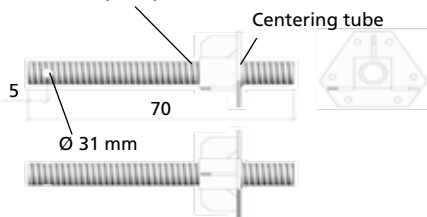
Top unit 73 left

Adjustable spindle Ø 73 mm (black)

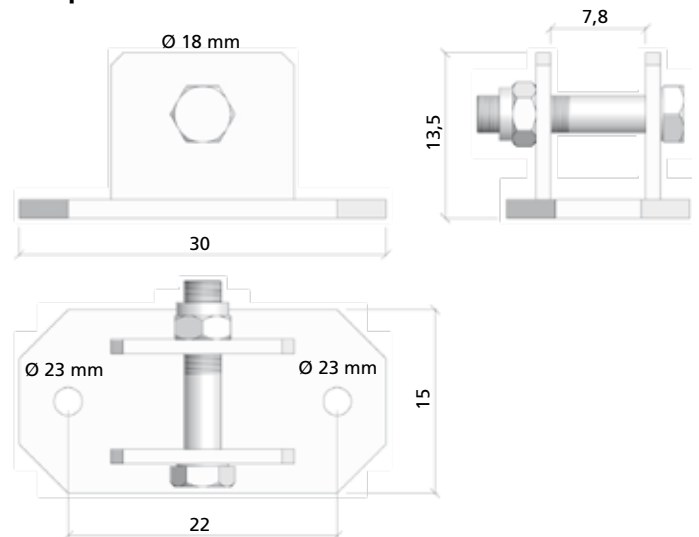


Top unit 73 right

Adjustable spindle Ø 73 mm (silver)



Foot plate 73





MEVA Schalungs-Systeme GmbH
Industriestraße 5
D-72221 Häiterbach
Tel. 07456 692-01
Fax 07456 692-66
e-mail info@meva.de
Internet <http://www.meva.de>

A-Pfaffstätten, Tel. 02252 209000
BG-Sofija, Tel. 02 9898277
CDN-Toronto, Tel. 905 8576037
CH-Seon, Tel. 062 7697100
CZ-Praha, Tel. 0283 085333
F-Champs-sur-Marne, Tel. 01 64621060
F-Sarreguemines, Tel. 0387 959938
H-Budapest, Tel. 01 2722222
IND-Mumbai, Tel. 0222 7658884

NL-Gouda, Tel. 0182 570770
RO-Bucuresti, Tel. 021 3169882
RUS-Moskva, Tel. 495 7813737
RUS-Sankt-Peterburg, Tel. 812 3320188
SGP-Singapore, Tel. 656389 1832
UA-Kiev, Tel. 8044 4251312
UAE-Dubai, Tel. 04 3411180
UK-Tamworth, Tel. 01827 60217
USA-Springfield, Tel. 937 3280022