

This product list includes all parts necessary for most applications. For parts required for special applications, please refer to the MEVA price list. Dimensions are in centimetres (cm) unless another measure is shown.

Contents

AF hinged inside corner.....	48
AF hinged outside corner	48
AF inside corner.....	47
AF length compensation.....	51
AF outside corner ALU	47
AF panels	44
AF radius panels	49
AF special panels	44
AF tensioning bow.....	49
Articulated flange nut 15/120	53
Assembly lock	50
AS alignment rail.....	51
Brace frame 250	58
Corner bracket 40/60.....	52
Crane hooks.....	54
Drive nut 60.....	53
E assembly lock with coupling.....	50
Flange nut 100.....	53
Flange screw	51
Formwork-prop connector	58
Foundation tape.....	59
Guard-railing post 48/120 UK.....	57
Guard-railing post	57
Plug D20, red.....	52
Push-pull strut	54
Scaffolding bracket.....	56
Scaffold tube	57
Side railing.....	56
Spanner SW 27	54
Stop end bracket.....	52
Stop end fixture 23/40	52
Swivel-joint coupler 48/48	57
Tensioner EA for foundation tape	59
Tie claw 23	54
Tie rod DW 15/90.....	53
Transport angle	55
Trolley for foundation tape.....	59
Uni-assembly lock.....	50

AF panels

Construction height 10 cm; frame profile width 23 mm; three tie holes per panel height 264 cm and 300 cm. The frames of the AF panels are made of closed 3-chamber aluminium profiles (double groove) or 2-chamber aluminium profiles (single groove) and are torsion-proof; easy to clean thanks to a plastic coating. AF panels are standardly fitted with alkus AL 13 all-plastic forming face. All-around grooves and EA assembly locks (double groove) and E assembly locks (single groove) guarantee a tight and perfectly aligned panel connection. Anchor sleeves are weld into the frames. Multi-function profiles allow for an easy, fast and safe attachment of accessories.



AF special panels

Made to order, delivery time to be agreed. Minimum order quantity: 20 panels.

Ref.-No.	Description / Application	m ²	kg
22-134-25	AluFix panel AL 13 300/75	2,25	49,7
22-134-40	AluFix panel AL 13 300/60	1,80	41,8
22-134-50	AluFix panel AL 13 300/50	1,50	35,3
22-134-55	AluFix panel AL 13 300/45	1,35	32,8
22-134-60	AluFix panel AL 13 300/40	1,20	30,2
22-134-70	AluFix panel AL 13 300/30	0,90	23,8
22-134-75	AluFix panel AL 13 300/25	0,75	21,3
22-120-54	AluFix panel Al 13 264/75	1,98	44,5
22-122-04	AluFix panel Al 13 264/60	1,58	36,9
22-123-04	AluFix panel Al 13 264/50	1,32	32,0
22-123-54	AluFix panel Al 13 264/45	1,19	29,4
22-124-04	AluFix panel Al 13 264/40	1,06	27,0
22-124-34	AluFix panel Al 13 264/38	1,00	26,0
22-124-44	AluFix panel Al 13 264/36	0,95	25,1
22-124-54	AluFix panel Al 13 264/35	0,92	24,6
22-125-04	AluFix panel Al 13 264/30	0,79	22,1
22-125-54	AluFix panel Al 13 264/25	0,66	19,6
22-126-04	AluFix panel Al 13 264/20	0,53	17,2
22-135-25	AluFix panel AL 13 150/75	1,13	24,8
22-135-40	AluFix panel AL 13 150/60	0,90	20,9
22-135-50	AluFix panel AL 13 150/50	0,75	17,9
22-135-55	AluFix panel AL 13 150/45	0,68	16,6
22-135-60	AluFix panel AL 13 150/40	0,60	15,4
22-135-70	AluFix panel AL 13 150/30	0,45	11,7
22-135-75	AluFix panel AL 13 150/25	0,38	10,5
22-127-04	AluFix panel AL 13 132/75	0,99	20,9
22-128-54	AluFix panel AL 13 132/60	0,79	17,4
22-129-54	AluFix panel AL 13 132/50	0,66	15,1
22-130-04	AluFix panel AL 13 132/45	0,59	14,0
22-130-54	AluFix panel AL 13 132/40	0,53	12,9
22-131-54	AluFix panel AL 13 132/30	0,40	10,6
22-132-04	AluFix panel AL 13 132/25	0,33	9,4
22-121-04	AluFix panel Al 13 264/70	1,85	41,9
22-121-54	AluFix panel Al 13 264/65	1,72	39,4
22-122-54	AluFix panel Al 13 264/55	1,45	34,5
22-127-54	AluFix panel Al 13 132/70	0,92	21,6
22-128-04	AluFix panel Al 13 132/65	0,86	20,2
22-129-04	AluFix panel Al 13 132/55	0,73	17,7

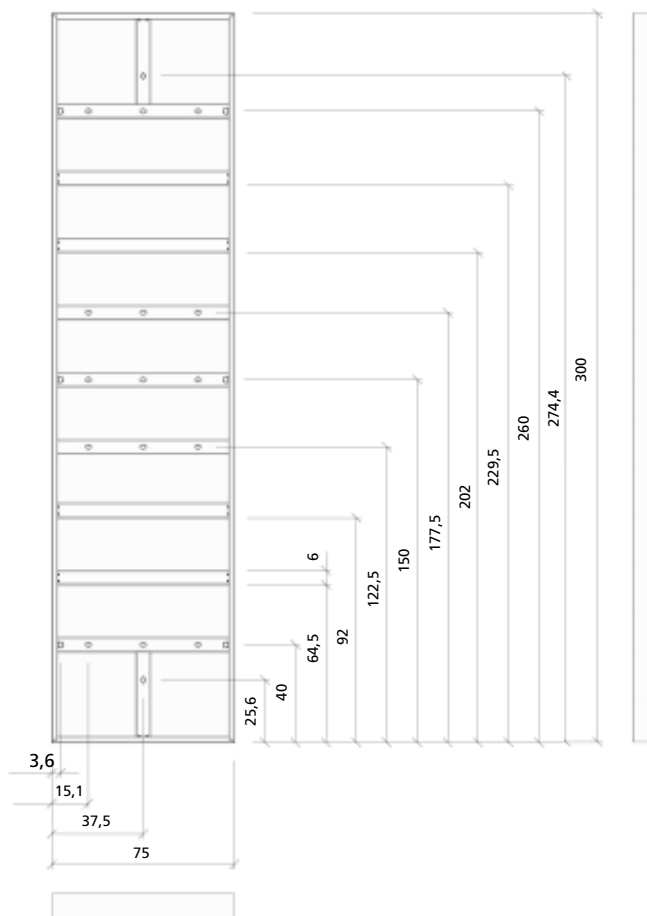
Panel height 3,00 m

9 cross stiffeners, of which 5 are multi-function profiles with welded DW-threaded nuts (plus 2 vertical multi-function profiles at the front end profiles).

3 tie holes per panel height.

Attention

Unused tie holes need to be closed with plugs D 20.



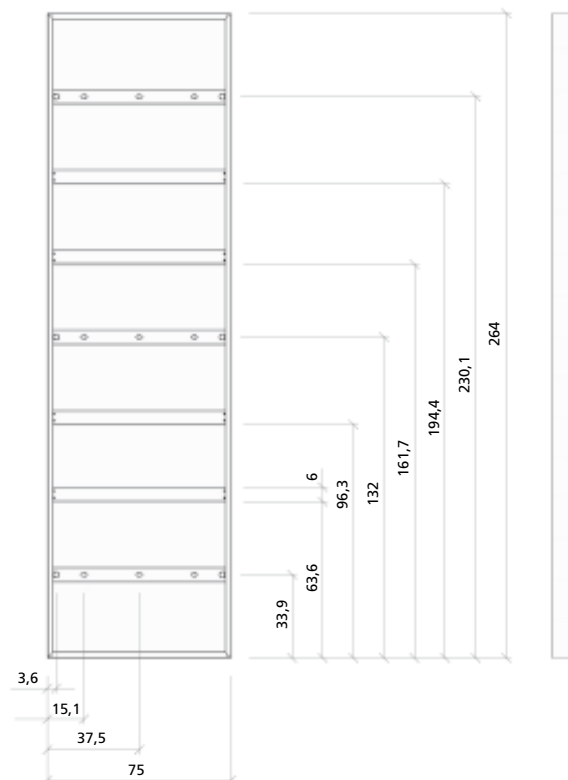
Panel height 2,64 m

7 cross stiffeners, of which 3 are multi-function profiles with welded DW-threaded nuts .

3 tie holes per panel height.

Attention

Unused tie holes need to be closed with plugs D 20.

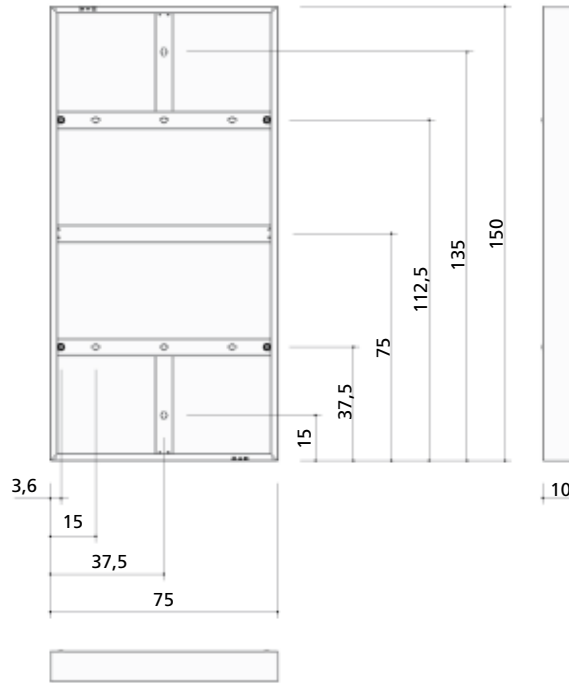


Panel height 1,50 m

3 cross stiffeners, of which 2 are multi-function profiles with welded DW-threaded nuts .
2 tie holes per panel height.

Attention

Unused tie holes need to be closed with plugs D 20.

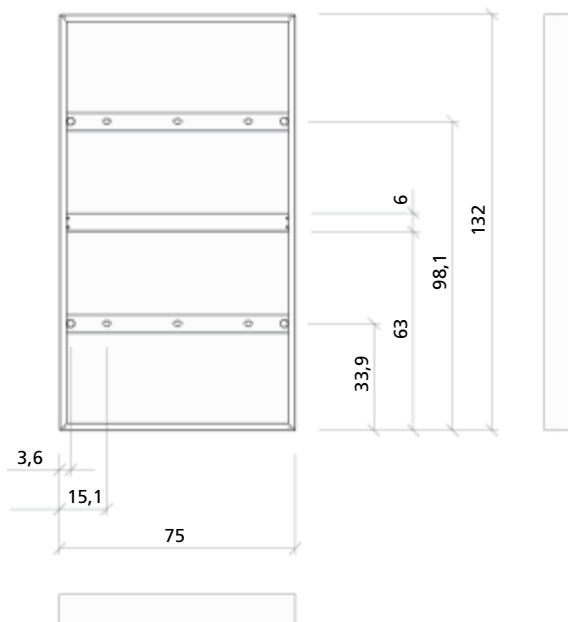


Panel height 1,32 m

3 cross stiffeners, of which 2 are multi-function profiles with welded DW-threaded nuts .
2 tie holes per panel height.

Attention

Unused tie holes need to be closed with plugs D 20.



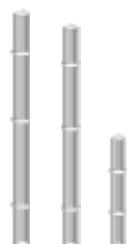
AF inside corner

Steel construction with steel sheeting, KTL/ACC-coating (anti-corrosion treatment); for 90° corner configurations. Side length 20 cm.



AF outside corner ALU

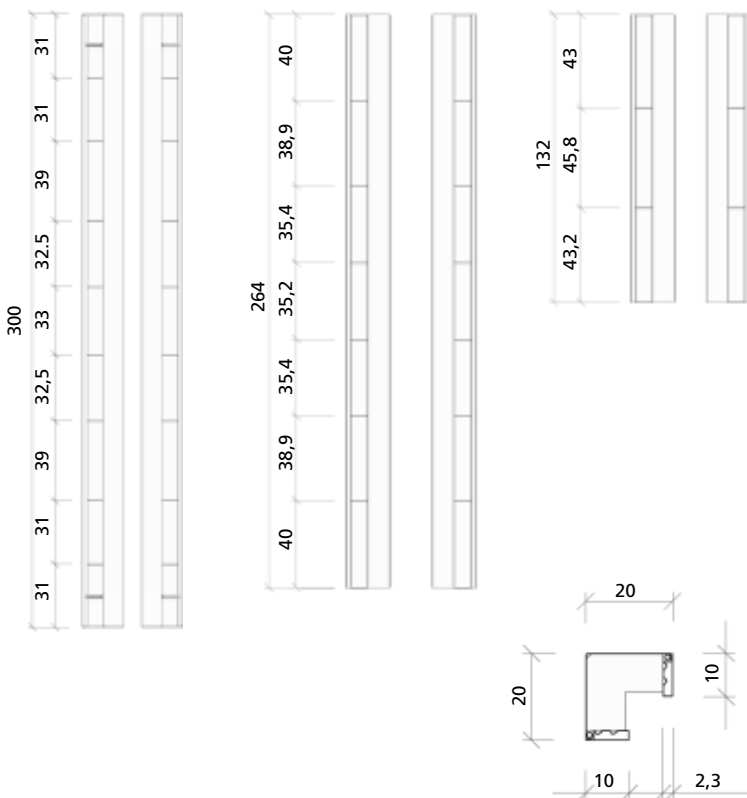
aluminium, plastic-coated; together with AF panels and EA assembly locks (double groove) or E assembly locks (single groove) it provides a tight outside corner assembly for 90° angles.



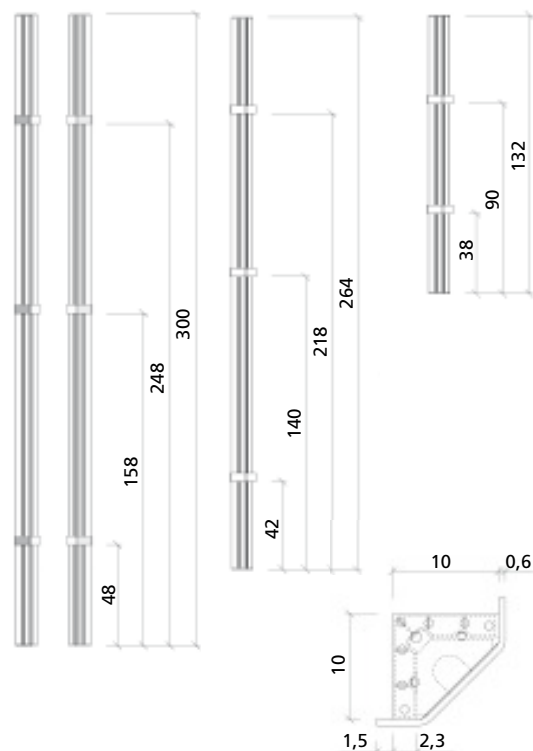
Ref.-No.	Description / Application	m ²	kg
22-150-45	AF inside corner 300/20	1,20	50,0
22-150-30	AF inside corner 264/20	1,06	42,2
22-150-40	AF inside corner 132/20	0,53	21,1

22-150-02	AF outside corner 300 ALU	9,2
22-150-05	AF outside corner 264 ALU	8,1
22-150-15	AF outside corner 132 ALU	4,2

AF inside corner



AF outside corner ALU



AF hinged inside corner

Steel construction with steel sheeting, KTL/ACC-coating (anti-corrosion treatment). Side length 20 cm; adjustable angle: 80°–180° when used as inside corner, 95°–180° when used as outside corner.



AF hinged outside corner

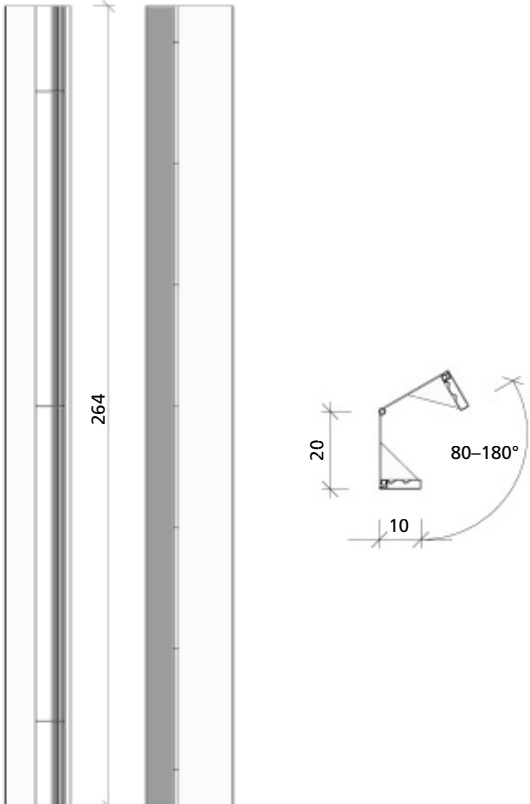
Steel construction with steel sheeting, KTL/ACC-coating (anti-corrosion treatment). Side length 1,5 cm; adjustable angle: 0°–130° (E assembly lock), 0°–120° (EA assembly lock).



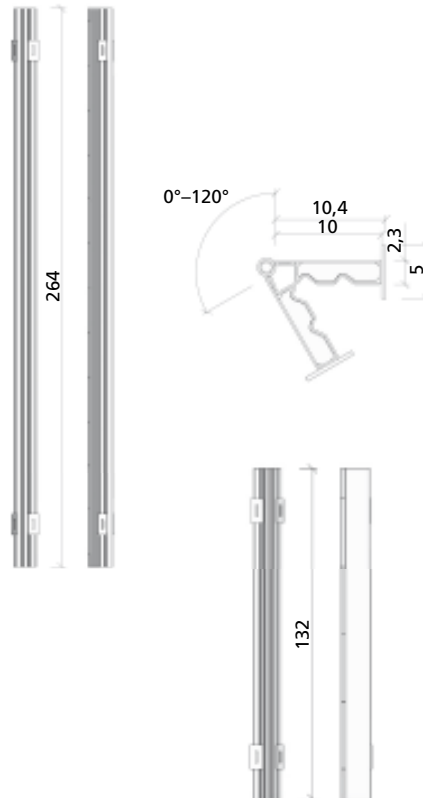
Ref.-No.	Description / Application	m ²	kg
22-150-80	AF hinged inside corner 264/20	1,06	40,0
22-150-90	AF hinged inside corner 132/20	0,53	20,0

22-150-60	AF hinged outside corner 264	25,3	
22-150-70	AF hinged outside corner 132	10,5	

AF hinged inside corner



AF hinged outside corner



AFradius panels

Steel construction with steel sheeting, KTL/ACC-coating (anti-corrosion treatment). Enhances the applicaton range of AluFix formwork to a polygonal formwork.



Ref.-No.	Description / Application	m ²	kg
22-152-10	AF radius panel 264/15	0,42	32,4
22-152-20	AF radius panel 264/20	0,55	34,0
22-152-30	AF radius panel 264/25	0,69	42,5
22-153-10	AF radius panel 132/15	0,21	17,0
22-153-20	AF radius panel 132/20	0,28	17,8
22-153-30	AF radius panel 132/25	0,35	21,8

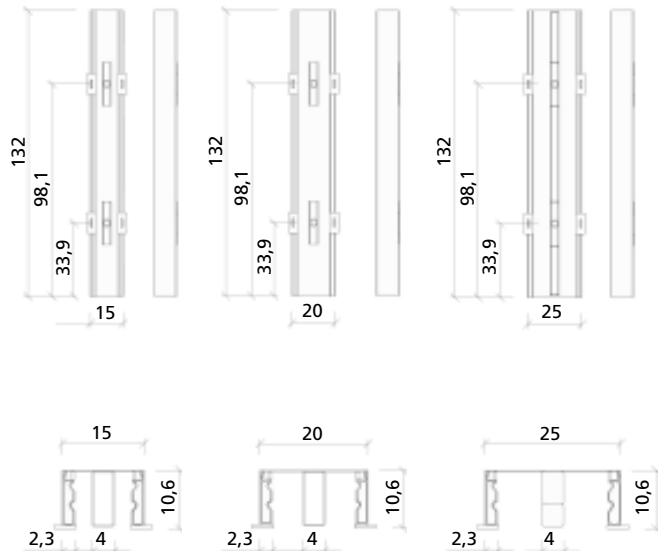
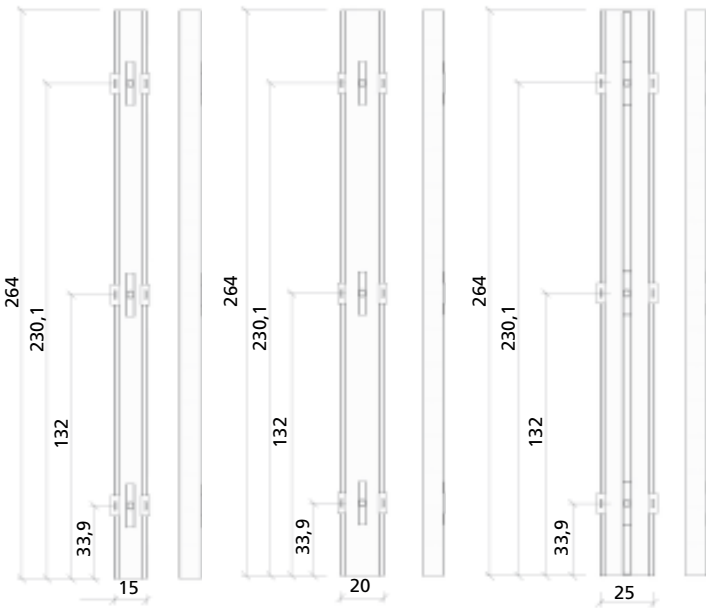
AF tensioning bow

Takes up the anchor load when forming polygonal constructions with radius panels



22-153-90	AF tensioning bow	3,4
-----------	-------------------	-----

AFradius panels



Assembly lock

Galvanized; tightly connects and aligns AluFix and EcoAspanels. Clamping length 4,6 cm. Three (3) assembly locks are required per panel joint for a panel height of 3,00 m. Two (2) assembly locks are required per panel joint for a panel height of 2,64 m and 1,32 m.



Uni-assembly lock

Galvanized; for stepless compensation; clamping lengths 22 cm and 28 cm



E assembly lock with coupling

Galvanized; is used to attach push-pull props at the panel joints of the wall formwork systems AluFix and EcoAs; clamping length 4,6 cm



Ref.-No.	Description / Application	m ²	kg
29-205-50	EA assembly lock		1,5
29-103-50	E assembly lock		0,8

29-400-85	Uni-assembly lock 22		3,6
29-400-90	Uni-assembly lock 28		3,9
29-103-60	E-Uni-assembly lock		2,0

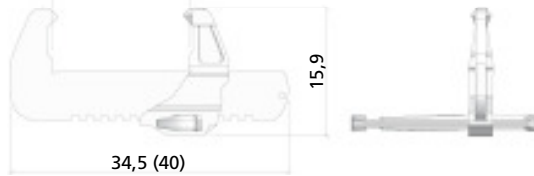
29-802-70	E assembly lock with coupling		1,0
-----------	-------------------------------	--	-----

Uni-assembly lock

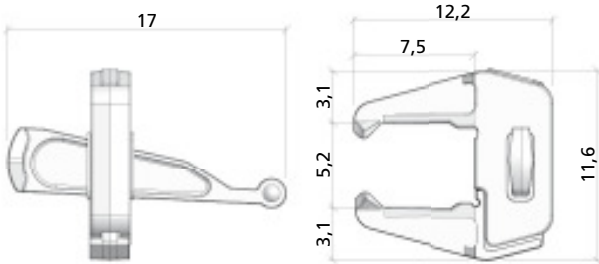
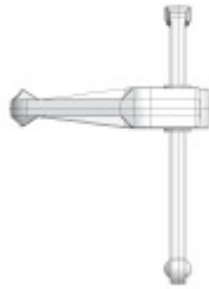


The numbers in parentheses refer to Uni-assembly lock 28

Adjustment range = 0–22 (0–28) cm

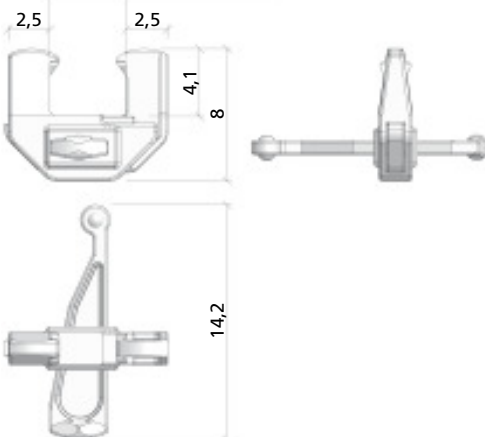


EA assembly lock

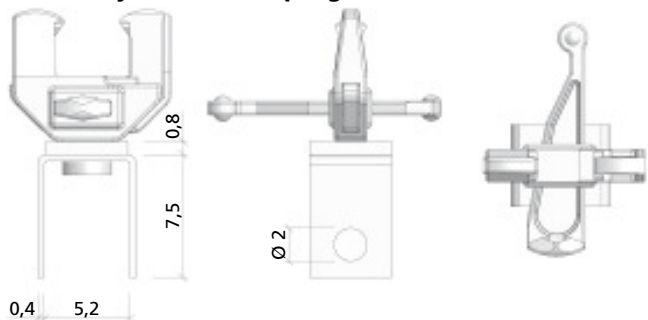


E assembly lock

Clamping length 4,6 cm



E-assembly lock with coupling



Flange screw

Galvanized; with Dywidag thread
 Ø 15mm. Is used to attach accessories, e.g. alignment rails, brace frames, push-pull props, etc. Length of thread 18 cm or 28 cm.



AF length compensation

Not shown here. Steel frame profile with angles; KTL/ACC-coating. Is clamped to the AF panel with two (2) E assembly locks and allows to support job-built fillers (short squared timber and plywood). Delivery and weight by pairs.

AS alignment rail

Galvanized; is used to brace panel joints for crane ganging, bridge problem areas, brace compensation areas and build stop ends with stop end fixtures. Is attached to the formwork with flange screws.

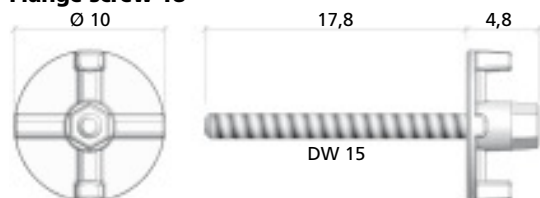


Ref.-No.	Description / Application	m ²	kg
29-401-10	Flange screw 18		1,1
29-401-12	Flange screw 28		1,2

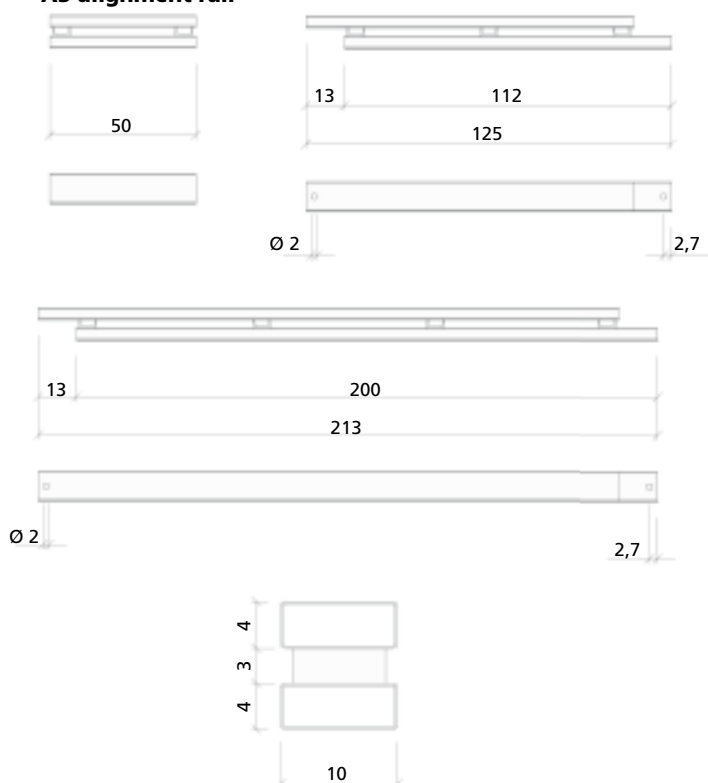
29-200-20	AF compensation profile 264		19,0
29-200-30	AF compensation profile 132		10,0

29-201-73	AS alignment rail 50, galv.		4,0
29-201-75	AS alignment rail 125, galv.		10,5
29-201-80	AS alignment rail 200, galv.		16,0

Flange screw 18



AS-alignment rail



Corner bracket 40/60

Galvanized; side lengths 40 cm and 60 cm; for inside and outside corners and column formwork



Stop end bracket

Galvanized; is used to form stop ends. The stop end bracket 40/60 is suited for a max. wall thickness of 40 cm; for profile widths of 40 mm and 60 mm. When used with AluFix, wooden wedges are applied to compensate the profile width.

Stop end bracket 60/23 is suited for a max. wall thickness of 75 cm (2,5'); for profile widths of 23 mm and 60 mm.



Stop end fixture 23/40

Yellow chromated. Is used to attach alignment rails to the panels when stop ends are formed; or it is used in connection with multi-purpose panels (EcoAs, StarTec) to form outside corners or abutments. It is suited for the frame profiles of EcoAs and AluFix (23 mm) and AluStar/StarTec (40 mm). A flange nut 100 or an articulated flange nut 15/120 is required in addition.



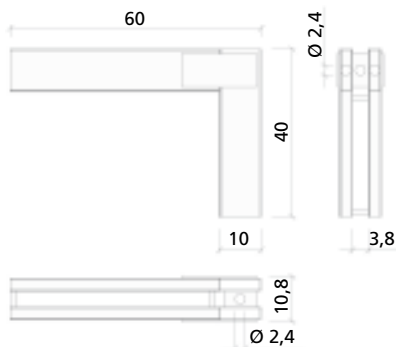
Plug D20, red

Red; is used to close unused tie holes of EcoAs, AluFix, AluStar and StarTec.

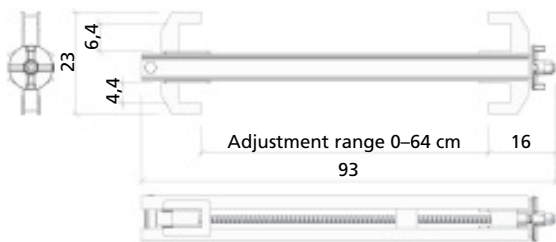


Ref.-No.	Description / Application	m ²	kg
29-402-25	Corner bracket 40/60		9,5
29-105-50	Stop end bracket 40/60		15,4
29-105-60	Stop end bracket 60/23		20,0
29-402-85	Stop end fixture 23/40 yellow		3,0
29-902-63	Plug D20, red		

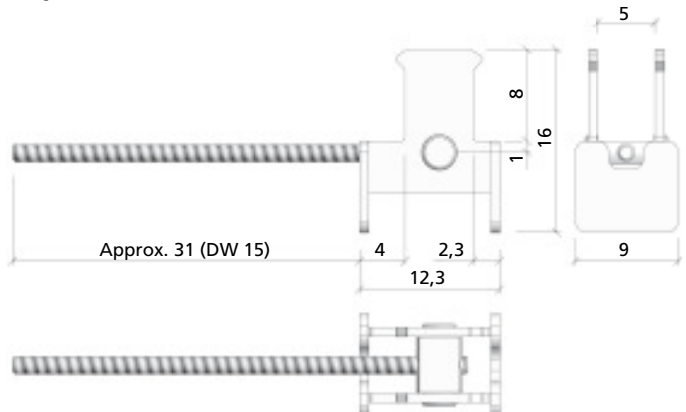
Corner bracket 40/60



Stop end bracket 40/60



Stop end fixture 23/40



Articulated flange nut 15/120

Forged, galvanized; with Dywidag thread \varnothing 15 mm, plate diameter 120 mm, maximum inclination 10° , spanner width 27 mm, max. load capacity 90 kN. Reduces wear of panel coating.



Flange nut 100

Forged, cut thread; for Dywidag tie rods with diameter 15 mm; plate diameter 100 mm, SW 27; admissible load capacity 90 kN (DIN 18216).



Drive nut 60

Galvanized; Dywidag thread \varnothing 15 mm; plate diameter 60 mm; adm. load capacity 90 kN (DIN 18216). Is used to anchor the formwork at the ground or at a wall connection.



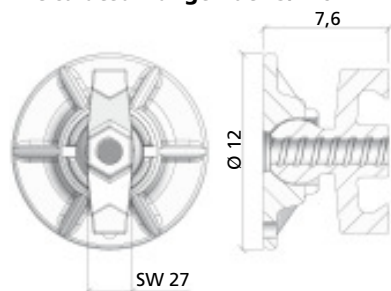
Tie rod DW 15/90

Uncoated, not weldable. Dywidag thread \varnothing 15 mm; adm. load capacity 90 kN (DIN 18216). Is used to tie panels of double-sided formwork.

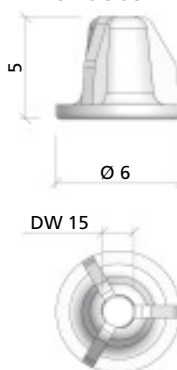


Ref.-No.	Description / Application	m ²	kg
29-900-10	Articulated flange nut 15/120 (SW 27)		1,8
29-900-20	Flange nut 100 (SW 27, forged)		0,7
29-900-23	Drive nut 60		0,5
29-900-80	Tie rod DW 15/90		1,3

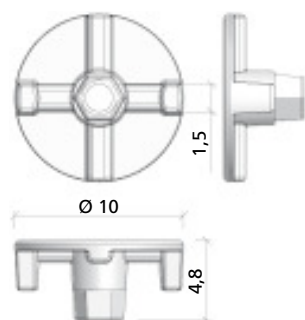
Articulated flange nut 15/120



Drive nut 60



Flange nut 100



Tie rod DW 15/90



Spanner SW 27

Inset yellow chromated; spanner width 27 mm. Is used to tighten and loosen flange nuts 100, articulated flange nuts 15/120 and flange screws.



Tie claw 23

Galvanized; permits tying with tie rod DW 15 and flange nut 100 directly above or beside EcoAs and AluFix panels



Push-pull strut

Galvanized; is attached above a panel joint; replaces the top tie for panels which are assembled in horizontal position. Applicable for wall (foundation) thickness up to 64 cm (AluFix and EcoAs) and 60 cm (StarTec and AluStar).



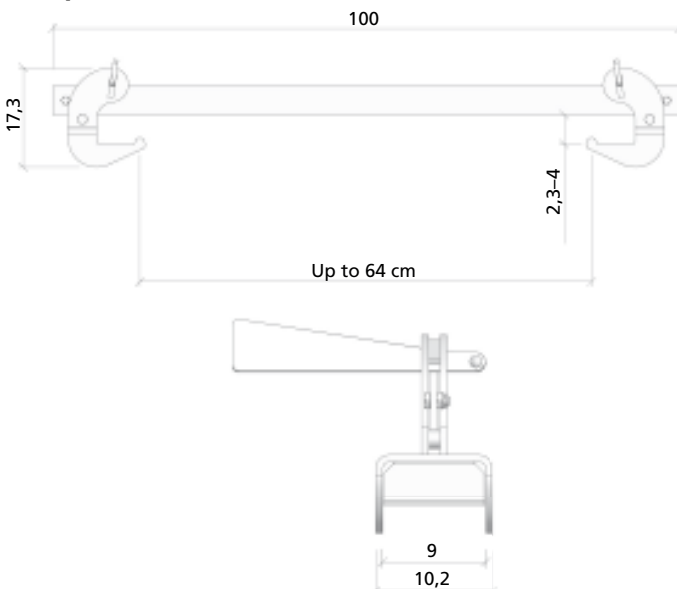
Crane hooks

Coated; is used to move AluFix and EcoAs panels. Self-locking; load capacity 6 kN (600 kg). Always two (2) crane hooks required per gang. Please refer to Instruction Manual for application and safety test.

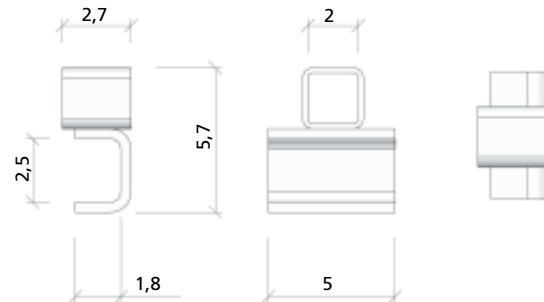


Ref.-No.	Description / Application	m ²	kg
29-800-10	Spanner SW 27		1,8
29-901-44	Tie claw 23		0,2
29-105-70	Push-pull strut		6,6
29-103-95	EA/ML crane hook		5,5
29-103-85	AF-crane hook		5,6

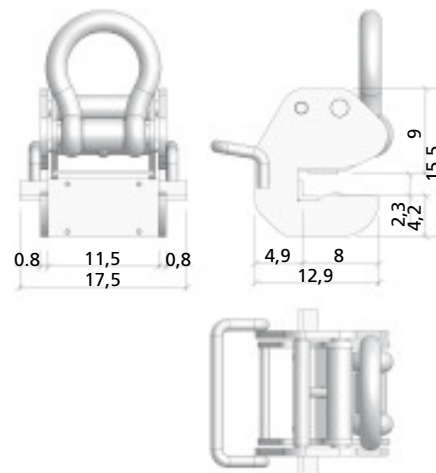
Push-pull strut



Tie claw 23



AF-crane hook



Transport angle

Is used to stack and transport 5 to 12 EcoAs or AluFix panels. Distance between holes 10 cm; max. load capacity = 10 kN per angle; for safety reasons consider 20 kN as maximum capacity for the whole stack. It is recommended to use two (2) foldable angles and two (2) angles of the rigid type for each stack.

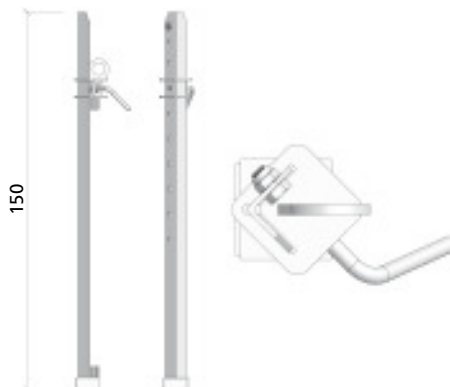
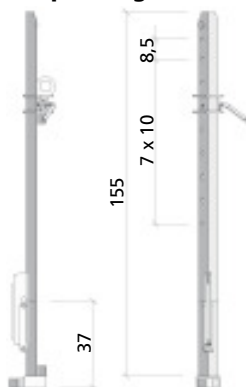


Ref.-No.	Description / Application	m ²	kg
29-305-15	Transport angle 10, rigid type		10,4
29-305-10	Transport angle 10		16,0



AF

Transport angle 10



Scaffolding bracket

Galvanized, yellow, pluggable. It is used as working and safety scaffold; is attached to the multi-function profile and secured to the multi-function profile below with a flange screw 18. The planking can be mounted to the brackets. Working width approx. 90 cm (125 cm). Guard-railing post 100 or 140 is also required. Bracket spacing depends on the type of planking, see the the Technical Instruction Manual.



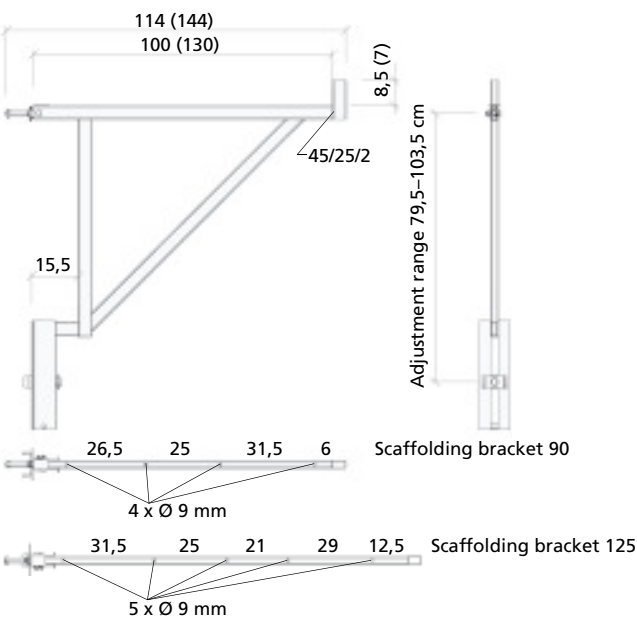
Side railing

Galvanized; for scaffolding brackets

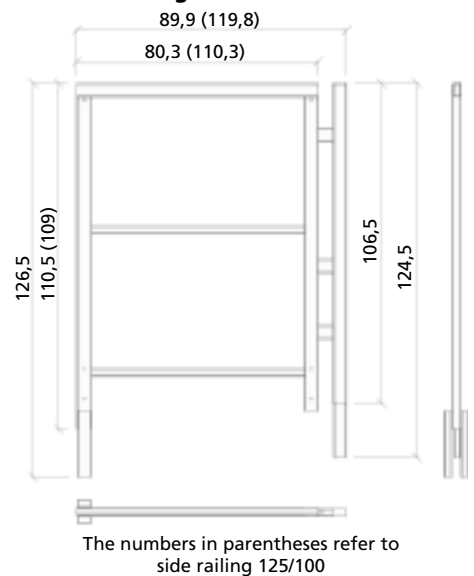


Ref.-No.	Description / Application	m ²	kg
29-106-00	Scaffolding bracket 90 (yellow), galv.		10,0
29-106-50	Scaffolding bracket 125 (yellow), galv.		11,5
29-104-82	E scaffolding bracket		8,0
29-108-20	Side railing 90/100, galv.		12,3
29-108-30	Side railing 125/100, galv.		13,8

Scaffolding bracket



Side railing



The numbers in parentheses refer to scaffolding bracket 125

Guard-railing post

Galvanized; is attached to the scaffolding bracket

Guard-railing post 48/120 UK

Galvanized, with manifold to attach it to the scaffolding bracket, designed with tube Ø 48 mm to attach tube couplers

Scaffold tube

Not shown here. Galvanized, is used as hand-rail / mid-rail in combination with guard-railing post 48/120 UK.

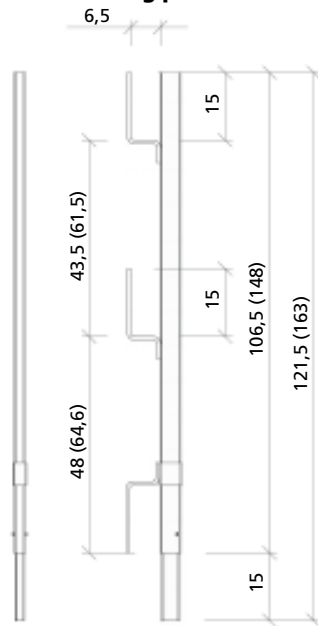
Swivel-joint coupler 48/48

Galvanized, is used to connect two (2) scaffold tubes with Ø 48,3 mm at any angle required



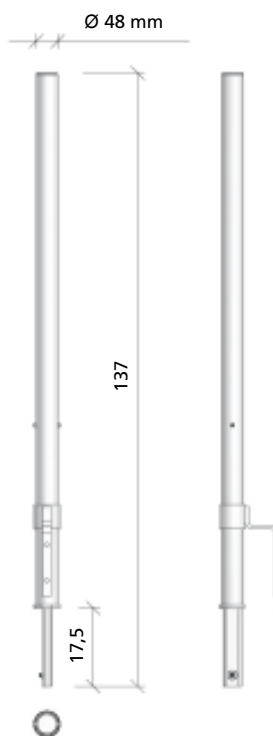
Ref.-No.	Description / Application	m ²	kg
29-106-75	Guard-railing post 100, galv.		3,7
29-106-85	Guard-railing post 140, galv.		4,7
29-106-80	Guard-railing post 48/120 UK		5,5
29-412-23	Scaffold tube 48/200		9,4
29-412-26	Scaffold tube 48/300		14,1
29-412-27	Scaffold tube 48/400		18,8
29-412-52	Swivel-joint coupler 48/48		1,2

Guard-railing post



The numbers in parentheses refer to guard-railing post 140

Guard-railing post 48/120 UK



Brace frame 250

Galvanized; is used to align and brace the formwork. Available with or without formwork-prop connector. Consists of a push-pull prop R 250 (190–320 cm), a brace SRL 120 (90–150 cm) and a double-jointed foot-plate. The formwork-prop connectors are attached to the formwork with flange screws 18.



Formwork-prop connector

Galvanized; connects braces, brace frames and push-pull props (max. Ø 48mm) to the multi-function profile with a flange screw 18. Delivery includes head bolt 16/90 and cotter pin 4.



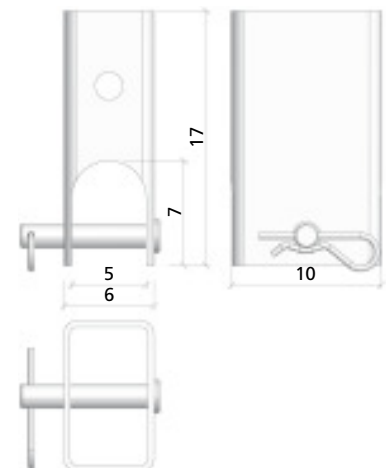
Ref.-No.	Description / Application	m ²	kg
29-109-25	Brace frame 250 without connector		27,5
29-109-20	Brace frame 250 with formwork-prop connector		31,5

29-804-85	Formwork-prop connector		1,7
-----------	-------------------------	--	-----

Brace frame 250



Formwork-prop connector



Foundation tape

Galvanized; hole spacing 50 mm; hole Ø 16mm; length 50 m; adm. tractive force 10 kN; to be cut at hole center. Together with the appropriate tensioner it serves as bottom tie when panels are assembled in horizontal position.



Tensioner EA for foundation tape

Galvanized; is used to connect the foundation tape to EcoAs or AluFix panels; it serves as bottom tie when panels are assembled in horizontal position. Two (2) tensioners are required per tying position.

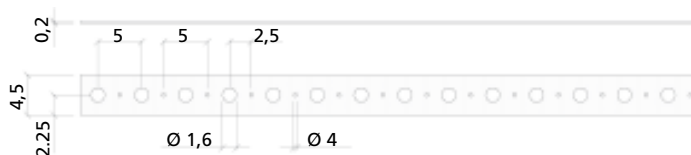


Trolley for foundation tape

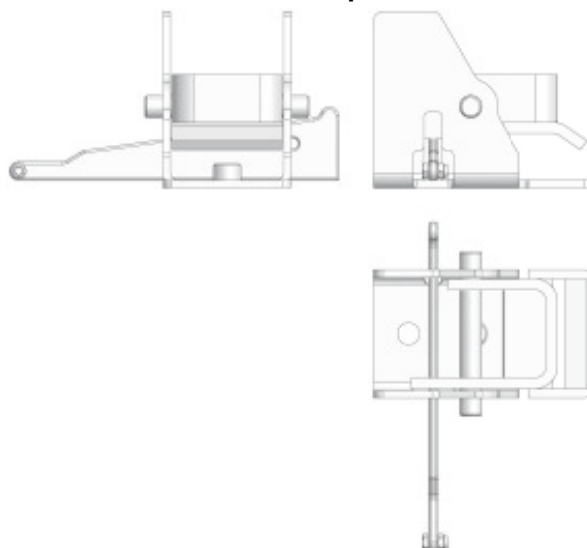
Not shown here. Galvanized. Is used to transport and cut foundation tape to length; suitable for one roll; pneumatic wheels.

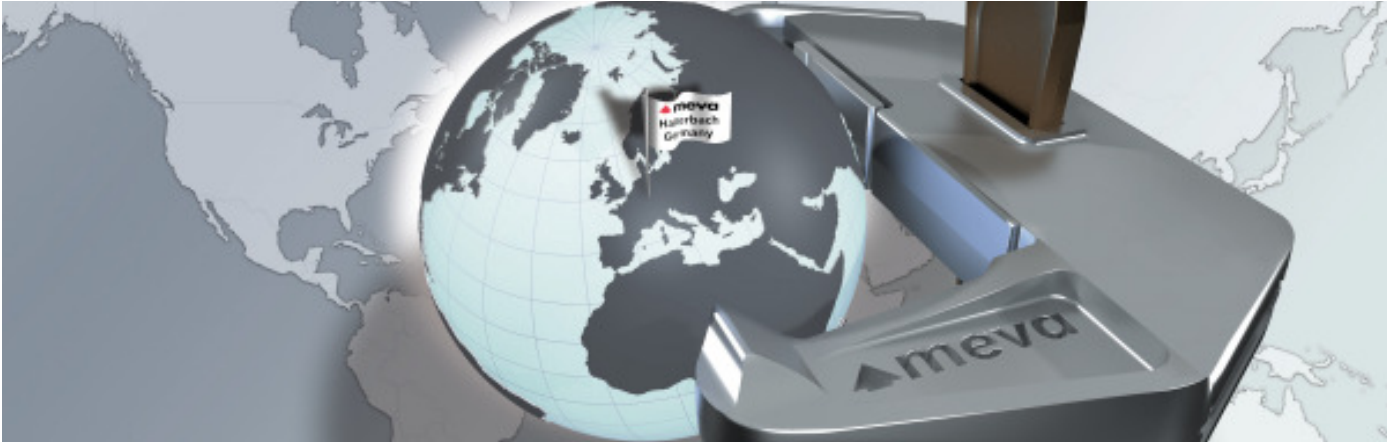
Ref.-No.	Description / Application	m ²	kg
29-307-50	Foundation tape 50 m		20,0
29-307-75	Tensioner EA for foundation tape		1,7
29-307-55	Trolley for foundation tape		21,8

Foundation tape



Tensioner EA for foundation tape





Headquarters

MEVA Schalungs-Systeme GmbH
Industriestraße 5
D-72221 Haiterbach
Tel. +49 7456 692-01
Fax +49 7456 692-66
E-Mail info@meva.de
www.meva.de

- Sales & Services
- Engineering
- Research & Development
- Production
- Special engineering
- Cleaning, Repair, Regeneration
- MEVA Training Center

Logistic Centers

A-Pfaffstätten, Tel. 02252 209000
D-Berlin, Tel. 03375 9030-0
D-Haiterbach, Tel. 07456 692-01
D-Hannover, Tel. 0511 94993-0
H-Budapest, Tel. 01 2722222
RO-Bucuresti, Tel. 021 3169882
RUS-Moskva, Tel. 495 7813737
UK-Tamworth, Tel. 01827 60217
USA-Springfield, Tel. 937 3280022

MEVA International

A-Pfaffstätten, Tel. 02252 20900-0
AUS-Adelaide, Tel. 07 3807 4377
B-Kruibeke, Tel. 03 250 11 11
BG-Sofia, Tel. 02 9898277
CDN-Toronto, Tel. 905 8576037
CH-Seon, Tel. 062 7697100
CZ-Praha, Tel. 283 085333
F-Champs-sur-Marne, Tel. 01 64621060
F-Sarreguemines, Tel. 0387 959938
H-Budapest, Tel. 01 2722222
HR-Bestovje, Tel. 01 3323666
IND-Mumbai, Tel. 022 27563430
IR-Tehran, Tel. 021 2292 5998
IRL-Dublin, Tel. 01 4505409
IS-Reykjavík, Tel. 0544 4490
KSA-Jeddah, Tel. 02 683 8347
LT-Kaunas, Tel. 0687 31533
N-Oslo, Tel. 067 154200
NL-Gouda, Tel. 0182 570770
PA-Panama City, Tel. 507 2372222
PL-Bialystok, Tel. 085 6768159
RO-Bucuresti, Tel. 021 3169882
RUS-Moskva, Tel. 495 7813737
RUS-Sankt-Peterburg, Tel. 812 3320188
SGP-Singapore, Tel. 67354459
SK-Bratislava, Tel. 0911 897502
SLO-Petrovce, Tel. 03 7131500
SRB-Beograd, Tel. 011 2310346
SYR-Damascus, Tel. 011 5324500
UAE-Dubai, Tel. 04 3411180
UK-Tamworth, Tel. 01827 60217
USA-Springfield, Tel. 937 3280022