

This product list includes all parts necessary for most applications. For parts required for special applications, please refer to the MEVA price list. Dimensions are in centimetres (cm) unless another measure is shown.

Contents

Base collar	32
Base spindle 60	32
Diagonal brace	32
Hinged pin, dia. 12 mm	33
Internal stair rail	31
Ledger	31
Ledger 1,90 m, wedge head and U-fork	31
MTT standard	30
Rigid / Swivel-joint coupler 48/48	33
Spigot	32
Spindle attachment with wedge head	32
Stair rail	30
Stair rail post 1,30 m	31
Stairway guardrail adaptor	31
Stair with landing, Alu(minium)	30
Steel deck 2,57 x 0,32 m	30
Swivel nut M 16	33
Wall tie 0,95 m	32

MEVA stair tower with a base of 2,57 m x 1,40 m. The aluminium stairs with landing are all in the same direction, the admissible working load is 200 kg/m².

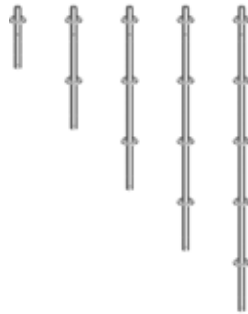
Stair with landing, Alu(minium)

Steps with a rise of 20 cm. Workers can ascend safely and without fatigue even when transporting material. Admissible load: 200 kg/m².



MTT standard

Steel tube, Ø 48,3 x 3,2 mm, hot-dip galvanised, with a punched disc every 50 cm for up to 8 connections. The 4 small recesses are for rectangular connections, the 4 large recesses are for connections at any angle.



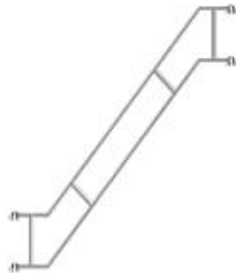
Steel deck 2,57 x 0,32 m

Perforated, antislip, with integrated swivelling safety device that prevents the deck from lifting and tilting. Is suspended on ledgers. The deck fulfills the requirements of the German standard DIN EN 12811.



Stair rail

Is used as a fall-down protection.



Ref. No.	Description / Application	m ²	kg
24-200-10	Starting stair, Alu, h = 1,00 m		14,8
24-200-20	Stair with landing, Alu 2,57 x 0,64 m, h = 2,00 m	23,2	
24-200-21	Stair with landing, Alu 2,57 x 0,64 m, h = 1,50 m	22,8	
24-200-23	Stair with landing, Alu 2,57 x 0,64 m, h = 1,50 m	11,2	
24-200-39	MTT standard 2,50 m	12,2	
24-200-40	MTT standard 2,00 m	10,2	
24-200-41	MTT standard 1,50 m	7,8	
24-200-42	MTT standard 1,00 m	5,5	
24-200-43	MTT standard 0,50 m	3,2	
24-200-50	Steel deck, 2,57 x 0,32 m	18,9	
24-200-70	Stair rail 2,57, h = 2,00 m	18,1	
24-200-71	Stair rail 2,57, h = 1,50 m	17,0	

Internal stair rail

Is used as a fall-down protection.



Stair rail post 1,30 m

Is used to attach the 1,90 m ledger, wedge head and U-fork.



Stairway guardrail adaptor

Is used to attach stair rails when no 1,40 m ledgers are available.



Ledger

Steel. Is used to support the steel deck, for bracing and as a railing. The gib and cotter connections ensure the tight and solid connection and central load application between MTT standards and ledgers. The gib and cotter connections provide maximum safety from the moment tower assembly is started because they prevent the loosely inserted ledgers from unhinging. Longitudinal ledgers are not required on steel deck level if the steel deck is protected against lifting and tilting by its safety device.



Ledger 1,90 m, wedge head and U-fork

Is used as a guard rail on the stair tower's top level.



Ref. No.	Description / Application	m ²	kg
24-200-78	Internal stair rail, h = 2,00 m		12,5
24-200-79	Internal stair rail, h = 1,50 m		11,3
24-200-80	Internal stair rail, h = 1,00 m		10,2
24-200-90	Stair rail post 1,30 m		6,1
24-202-85	Stairway guardrail adaptor		0,7
24-201-10	Ledger 2,57 m		9,4
24-201-20	Ledger 1,40 m		5,4
24-201-40	Ledger 1,90 m, wedge head and U-fork		7,8

Diagonal brace

Steel. The diagonal braces with gib and cotter connections additionally brace the basic tower consisting of MTT standards and ledgers.



Ref. No.	Description / Application	m ²	kg
24-202-10	Diagonal brace 2,57 m x 2,00 m		9,5
24-202-11	Diagonal brace 2,57 m x 1,50 m		8,2
24-202-12	Diagonal brace 2,57 m x 1,00 m		7,4
24-202-20	Diagonal brace 1,40 m x 2,00 m		7,5
24-202-21	Diagonal brace 1,40 m x 1,50 m		6,9
24-202-22	Diagonal brace 1,40 m x 1,00 m		5,9

Wall tie 0,95 m

Scaffolds and stair towers must be anchored vertically and parallel to the facade of a building. Anchoring must be a pressure-proof and high-tensile. To achieve this, the wall tie 0,95 m must be attached to the MTT standard with a coupler and its Y-sheet be supported by ledger's U-profile.



24-202-50	Wall tie 0,95 m		3,7
-----------	-----------------	--	-----

Base spindle 60

With robust and self-cleaning knuckle thread. Colour and groove marks protect the thread from overwinding. Make sure to place the spindle on a basis strong enough to transfer the load. Adjustment range: 41 cm.



24-202-60	Base spindle 60		3,6
-----------	-----------------	--	-----

Spindle attachment with wedge head

Secures the base collar and the base spindle 60 against falling off when crane-lifting the stair tower.



24-202-70	Spindle attachment with wedge head		2,0
-----------	------------------------------------	--	-----

Spigot

Is used to connect 2 MTT standards. Attachment with 4 hinged pins, dia. 12 mm.



24-202-75	Spigot		1,6
-----------	--------	--	-----

Base collar

The base collar with punched disc and the height-adjustable base spindle 60 are the foot of the tower. When assembling the tower, the MTT standards at the tower's bottom are plugged into the base collars.



24-202-80	Base collar		1,4
-----------	-------------	--	-----

Hinged pin, dia. 12 mm

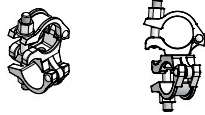
Connects the MTT standards with each other.



Ref. No.	Description / Application	m ²	kg
24-202-90	Hinged pin, dia. 12 mm		0,1

Rigid / Swivel-joint coupler 48/48

Galvanized. Connects wall tie 0,95 m with the MTT standard (SW 22).



29-412-50	Rigid coupler 48/48		1,1
29-412-52	Swivel-joint coupler 48/48		1,2

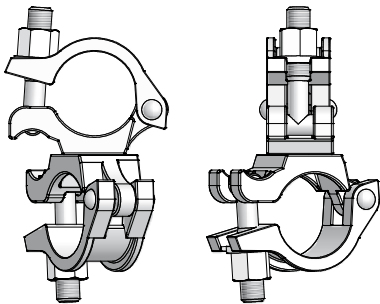
Swivel nut M 16

Galvanized. Is used for anchoring at the building wall.

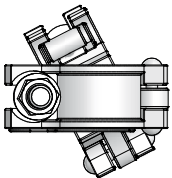
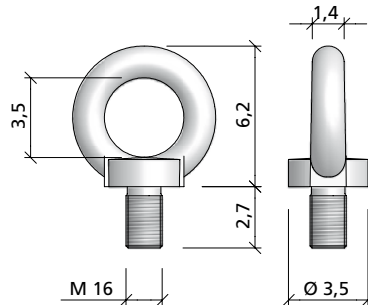


74-102-97	Swivel nut M 16, galv.		0,3
-----------	------------------------	--	-----

Swivel-joint coupler 48/48



Swivel nut M 16





Headquarters

MEVA Schalungs-Systeme GmbH
Industriestrasse 5
D-72221 Hälterbach
Tel. +49 7456 692-01
Fax +49 7456 692-66
E-Mail info@meva-international.com
www.meva-international.com

Logistic Centers

A-Pfaffstätten, Tel. 02252 20900-0
D-Berlin, Tel. 03375 9030-0
D-Hälterbach, Tel. 07456 692-01
D-Hannover, Tel. 0511 94993-0
GB-Tamworth, Tel. 01827 60217
H-Budapest, Tel. 01 2722222
RO-Bucuresti, Tel. 021 2066460
RUS-Moskva, Tel. 495 7813737
USA-Springfield, Tel. 937 3280022

International

A-Pfaffstätten, Tel. 02252 20900-0
AUS-Adelaide 08 82634377
B-Kruiabeke, Tel. 03 250 11 11
CH-Seon, Tel. 062 7697100
CZ-Praha, Tel. 283 085333
F-Champs-sur-Marne, Tel. 01 64621060
F-Sarreguemines, Tel. 0387 959938
GB-Tamworth, Tel. 01827 60217
H-Budapest, Tel. 01 2722222
IND-Mumbai, Tel. 022 27563430
IR-Tehran, Tel. 021 2292 5998
IS-Reykjavík, Tel. 0544 4490
LT-Kaunas, Tel. 0684 82795
N-Oslo, Tel. 067 154200
NL-Gouda, Tel. 0182 570770
PA-Panama City 507 2372222
PL-Bialystok, Tel. 085 6768159
RO-Bucuresti, Tel. 021 2066460
RUS-Moskva, Tel. 495 7813737
RUS-Sankt-Peterburg, Tel. 812 6802890
SGP-Singapore, Tel. 67354459
SLO-Petrovce, Tel. 03 7131500
UAE-Dubai, Tel. 04 3411180
USA-Springfield, Tel. 937 3280022